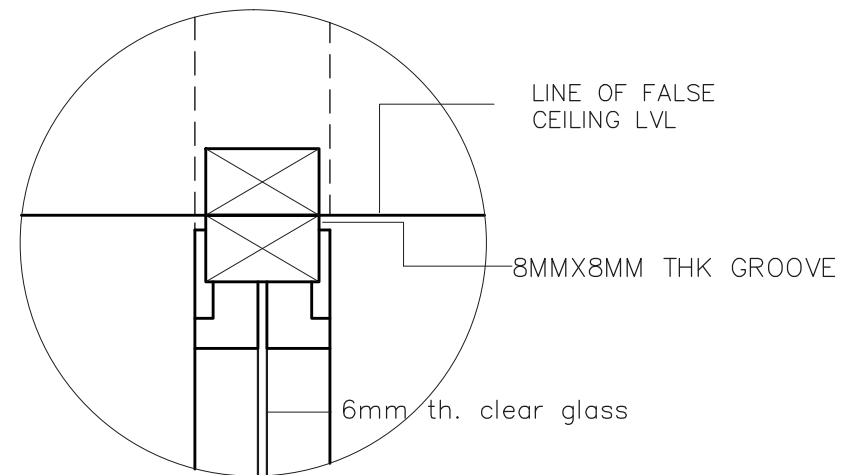
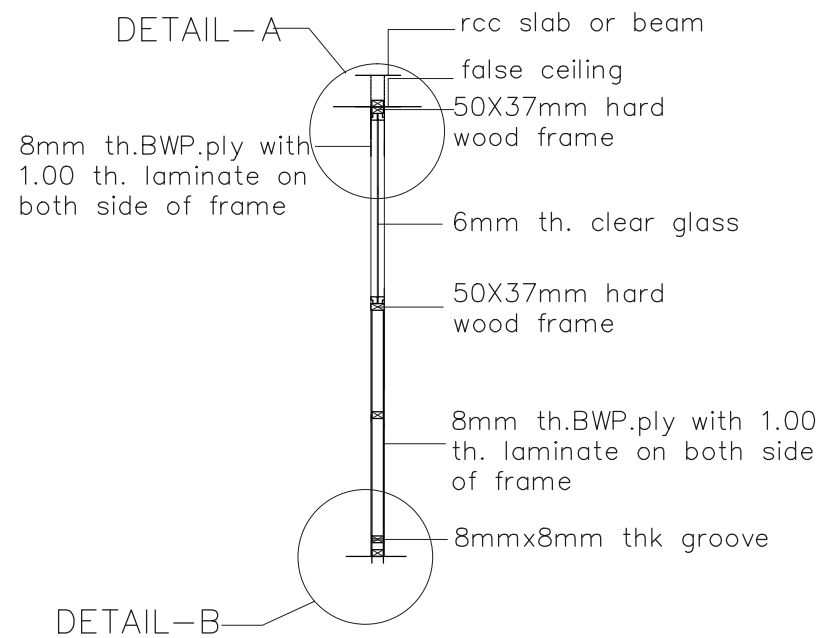


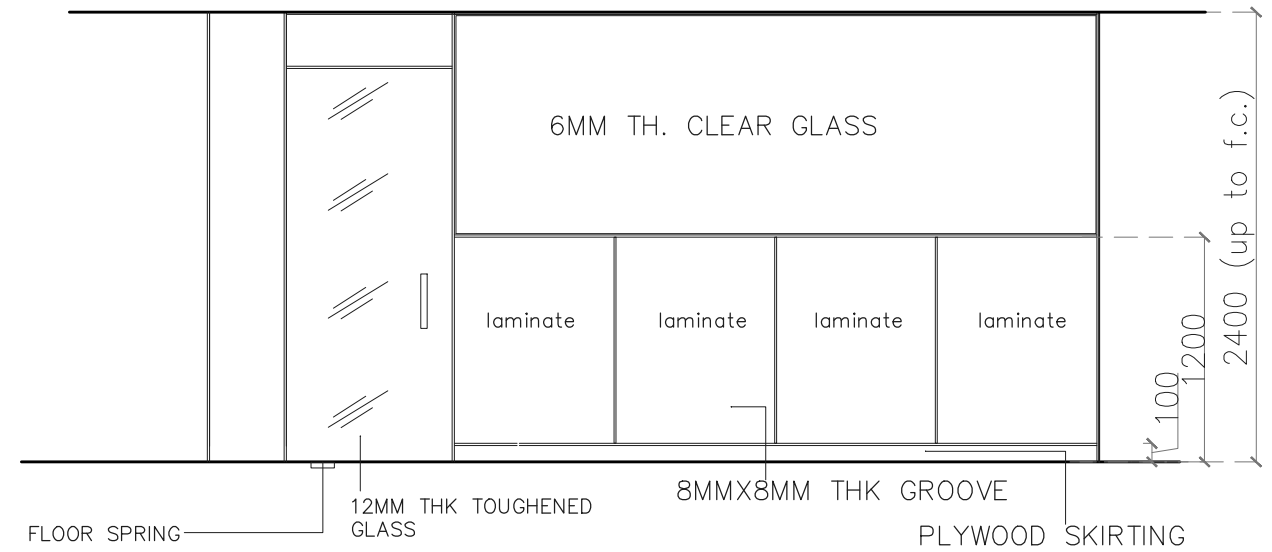
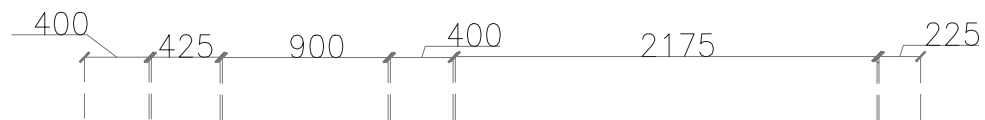
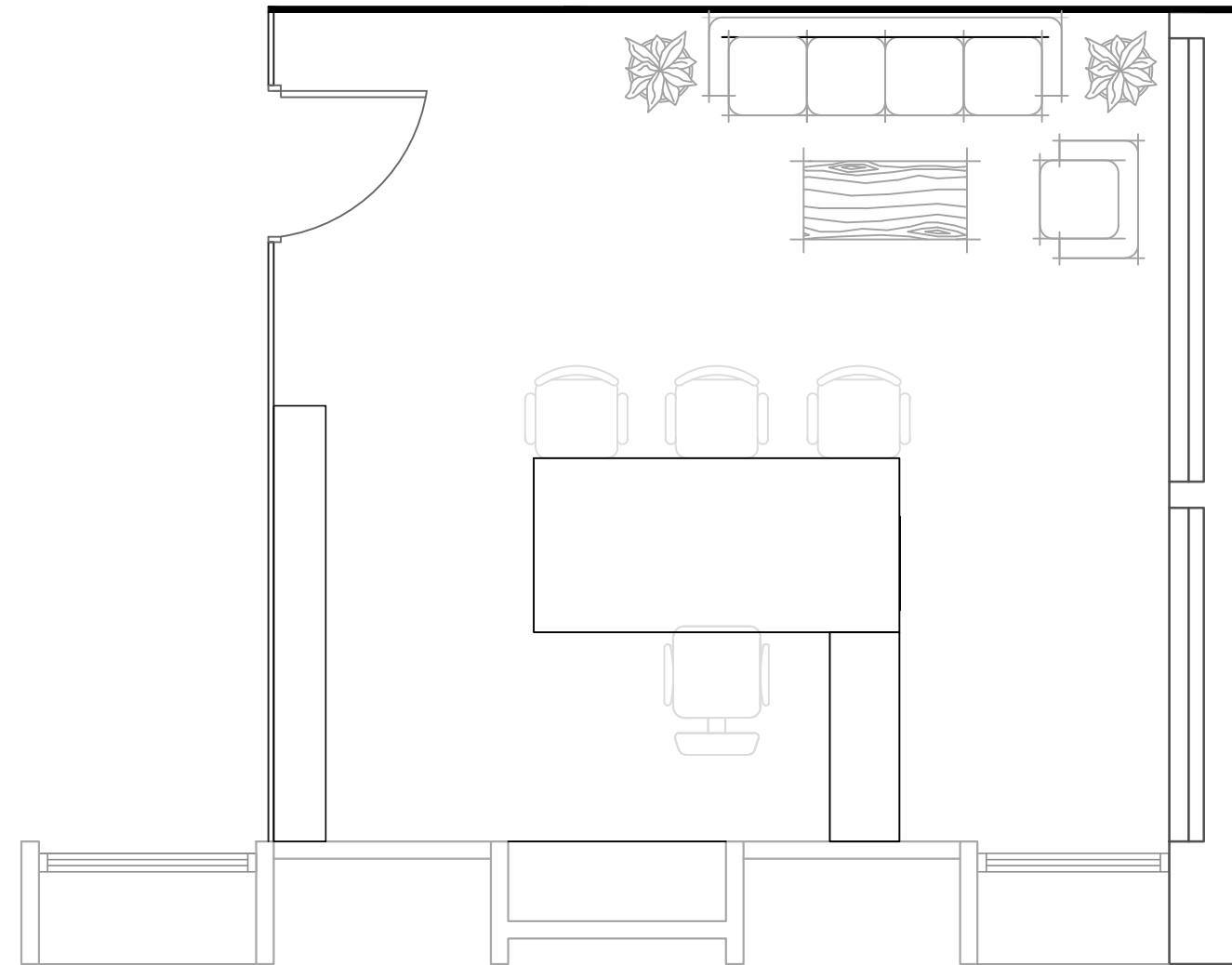
DETAIL-B



DETAIL-A



SECTION-A-A



ELEVATION - A  
PARTLY SOLID-GLASS PARTITION

REVISION		
DATE	TO	NOS.
PROJECT DR. BABASAHEB AMBEDKAR UNIVERSITY AHMEDABAD		
TITLE TYPICAL DETAIL OF PARTLY SOLID-GLASS PARTITION (DIRECTOR'S ROOM)		
ARCHITECTS, PLANNERS AND INTERIOR DESIGNERS KA-NUJ, 2 MUNICIPAL STAFF CO-OP. HOUSING SOC. B/H. ST. XAVIERS LOYOLA HIGH SCHOOL, MEMNAGAR, AHMEDABAD - 380052, PH.NO.: 079-7910870 FAX NO.: 079-7910476. E-MAIL: hgandhi.53@gmail.com		
DRWG. TITLE : PLAN, ELEVATION AND SECTION		
DRWG. NO. :		
NPN_NVS_FU_EXECUTIVE TABLE_RO_I 6.07.01		
DOC.NO.: NPNS/HAG/1/MI/TD/DWG/EL,SE		
JOB NO.: INT/NPN/NVS/07/2016		DRG.NO.
DATE.: 01-07-16	SCALE:	
DEALT: PUJA	CHK.BY: REKHA	