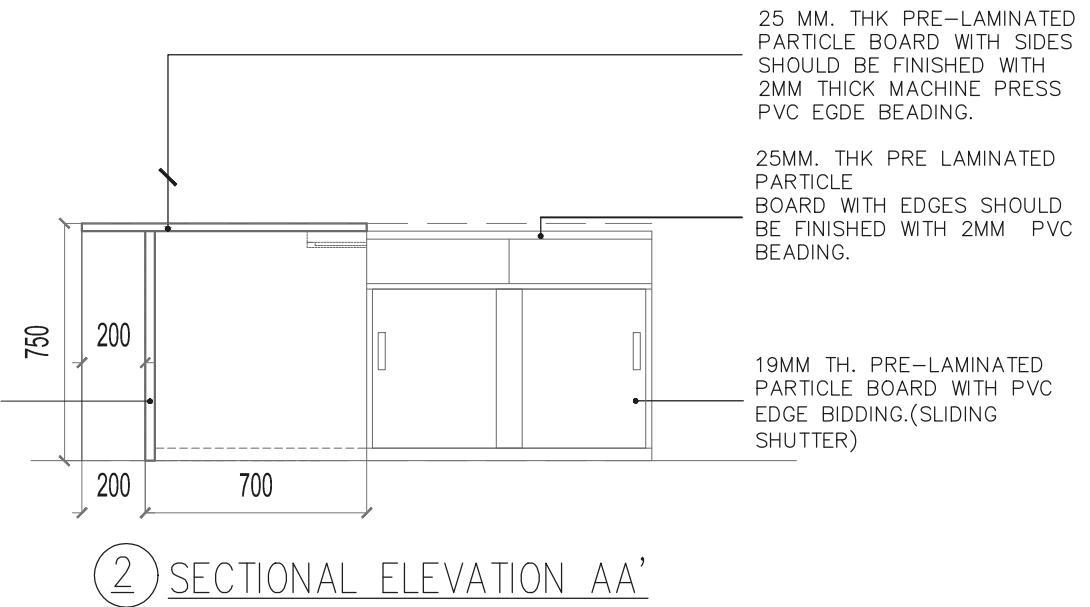


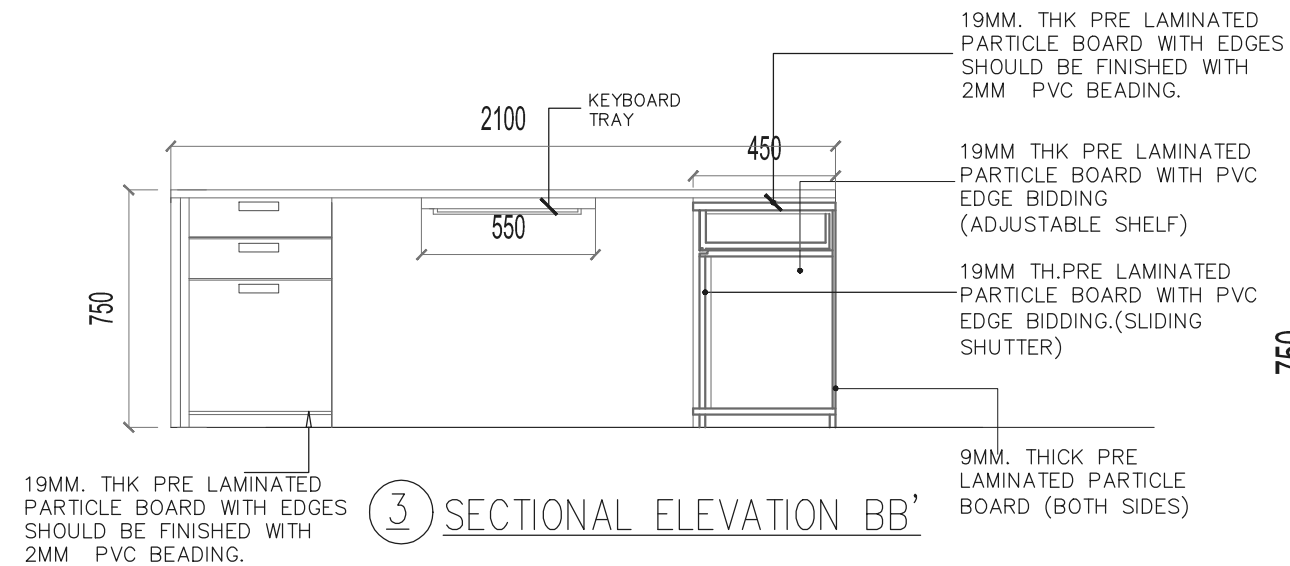
18MM TH. PRE LAMINATED PARTICLE BOARD ON BOTH SIDE.
(MODESTY PANEL)



25 MM. THK PRE-LAMINATED PARTICLE BOARD WITH SIDES SHOULD BE FINISHED WITH 2MM THICK MACHINE PRESS PVC EGDE BEADING.

25MM. THK PRE LAMINATED PARTICLE BOARD WITH EDGES SHOULD BE FINISHED WITH 2MM PVC BEADING.

19MM TH. PRE-LAMINATED PARTICLE BOARD WITH PVC EDGE BIDDING.(SLIDING SHUTTER)



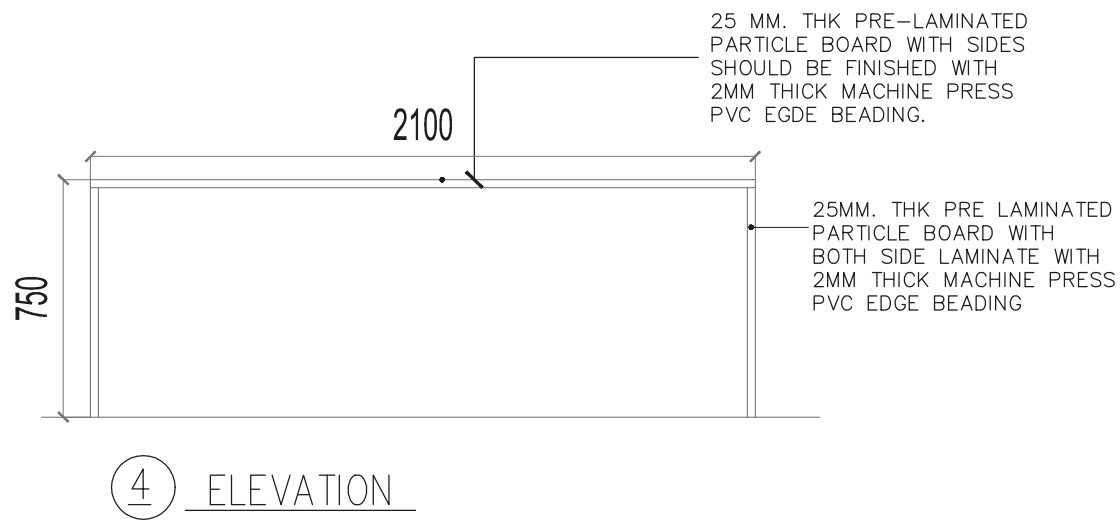
19MM. THK PRE LAMINATED PARTICLE BOARD WITH EDGES SHOULD BE FINISHED WITH 2MM PVC BEADING.

19MM THK PRE LAMINATED PARTICLE BOARD WITH PVC EDGE BIDDING (ADJUSTABLE SHELF)

19MM TH.PRE LAMINATED PARTICLE BOARD WITH PVC EDGE BIDDING.(SLIDING SHUTTER)

9MM. THICK PRE LAMINATED PARTICLE BOARD (BOTH SIDES)

19MM. THK PRE LAMINATED PARTICLE BOARD WITH EDGES SHOULD BE FINISHED WITH 2MM PVC BEADING.



25 MM. THK PRE-LAMINATED PARTICLE BOARD WITH SIDES SHOULD BE FINISHED WITH 2MM THICK MACHINE PRESS PVC EGDE BEADING.

25MM. THK PRE LAMINATED PARTICLE BOARD WITH BOTH SIDE LAMINATE WITH 2MM THICK MACHINE PRESS PVC EDGE BEADING

REVISION		
DATE	TO	NOS.
PROJECT DR.BABASAHEB AMBEDKAR UNIVERSITY AHMEDABAD		
TITLE TYPICAL DETAIL FOR EXECUTIVE TABLE (FACULTY ROOMS)		
HIREN A.GANDHI & ASSOCIATES. ARCHITECTS, PLANNERS AND INTERIOR DESIGNERS KA-NUJ.2 MUNICIPAL STAFF CO-OP. HOUSING SOC. B/H. ST.XAVERS LOYOLA HIGH SCHOOL, MEMNAGAR, AHMEDABAD - 380052, PH.NO.: 079-7910870 FAX NO.:079-7910476. E-MAIL:hgandhi.53@gmail.com		
DRWG. TITLE : PLAN, ELEVATION AND SECTION		
DRWG NO. :		
NPN_NVS_FU_EXECUTIVE TABLE_RO_16.07.01		
DOC.NO.:NPNs/HAG/1/MI/TD/DWG/EL,SE		
JOB NO.: INT/NPN/NVS/07/2016	DRG.NO.	
DATE.:01-07-16	SCALE:	
DEALT: PUJA	CHK.BY: REKHA	